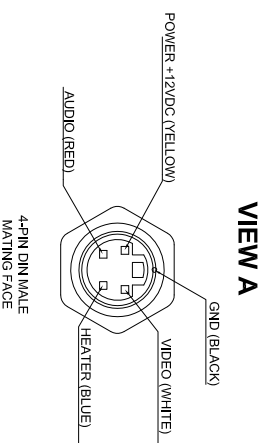
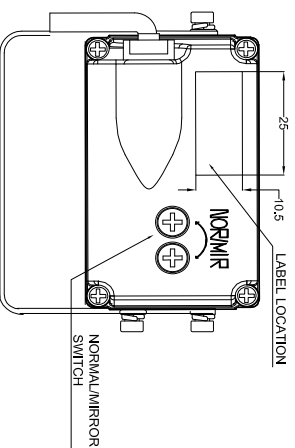
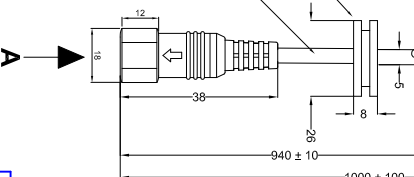
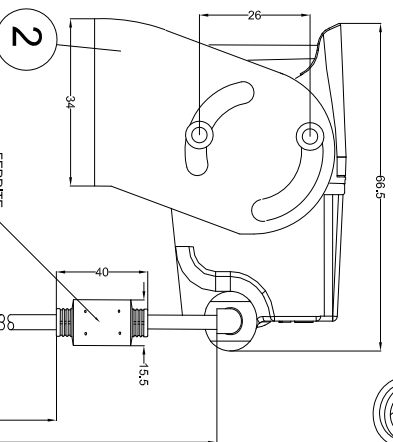
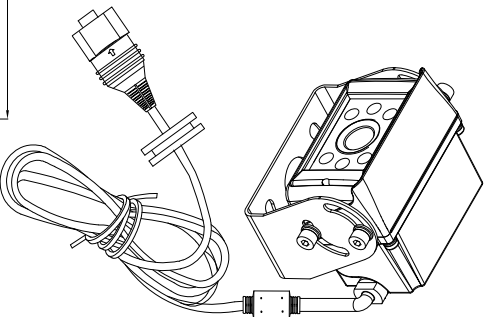
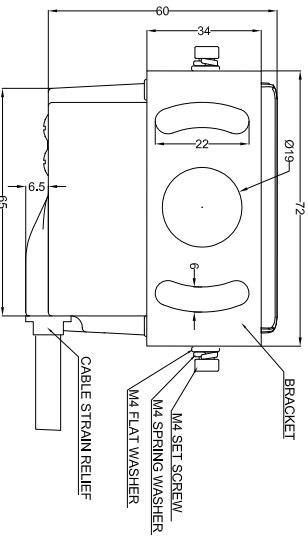
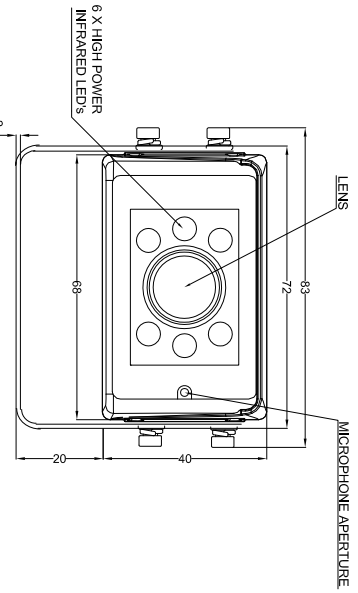
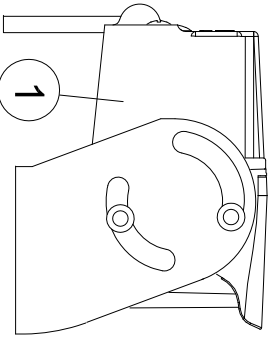
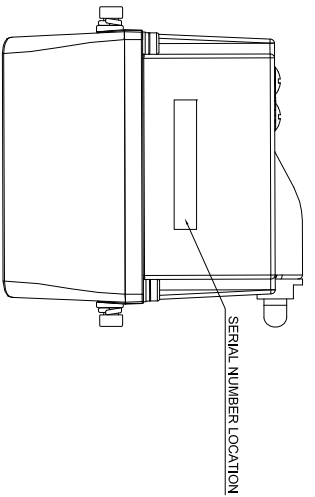


ITEM	STOCK CODE	QTY	DESCRIPTION
2	(#3137)	1	BE-990C CAMERA
3	(#3138)	1	BE-990C CAMERA BRACKET
4	(#3139)	1	BE-990C I/O (NOT SHOWN)



NOTES:
DIMENSIONS IN MM
LABEL & SERIAL NUMBER LOCATION. REF TO BE-000745-01-09 (BE-990C_#3042)_PROD-BL)
REFER TO "PRODUCT SPECIFICATION" FOR MORE DETAILS

PROPRIETARY NOTE
THIS DESIGN AND TECHNICAL INFORMATION APPEARING ON THIS DRAWING IS THE PROPERTY OF BRIGADE ELECTRONICS PLC, AND IS DISCLOSED IN CONFIDENCE. IT IS NOT TO BE COPIED, REPRODUCED, REVEALED TO OR APPROPRIATE BY OTHERS, EITHER IN WHOLE OR IN PART WITHOUT THE EXPRESS WRITTEN CONSENT OF BRIGADE ELECTRONICS PLC.

Rev/No	Revision note	Date	Signature	Checked
1	MODEL NUMBER CHANGED TO BE-990C	15/06/09	DK	SM

Item#	Quantity	Title/Name, designation, material, dimension etc	Article No./Reference
Designed by MOUTIER	Checked by DKRAH	Approved by - date SMATTHEWS	Filename 27/03/09
BRIGADE ELECTRONICS			BE-990C (#3042)
Edition A			Scale N/A
Sheet 1/1			